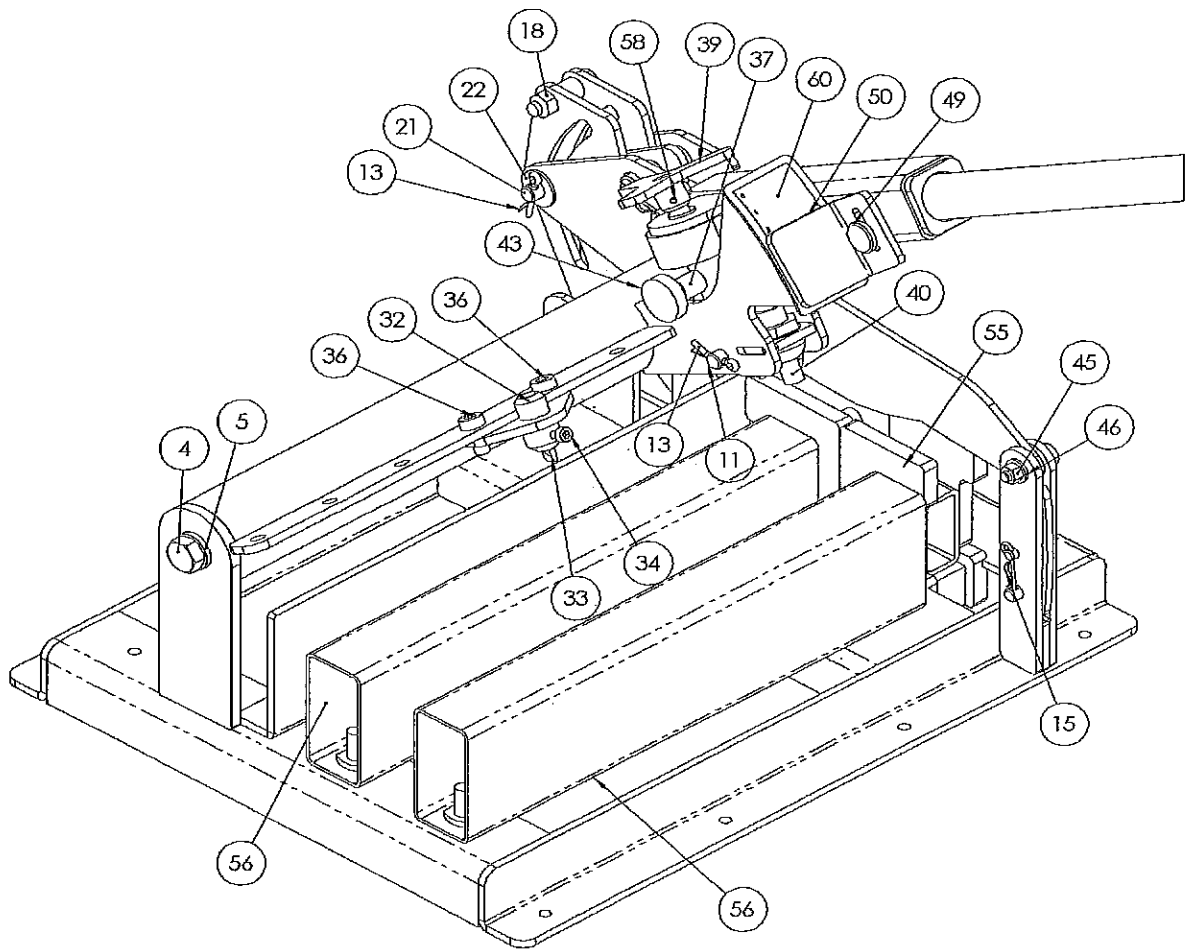




Radius Track Corporation

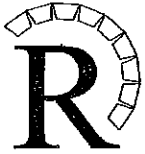
3530 – 88th Avenue NE
Blaine, MN 55014
USA

Track Bender Model D150



Page 1

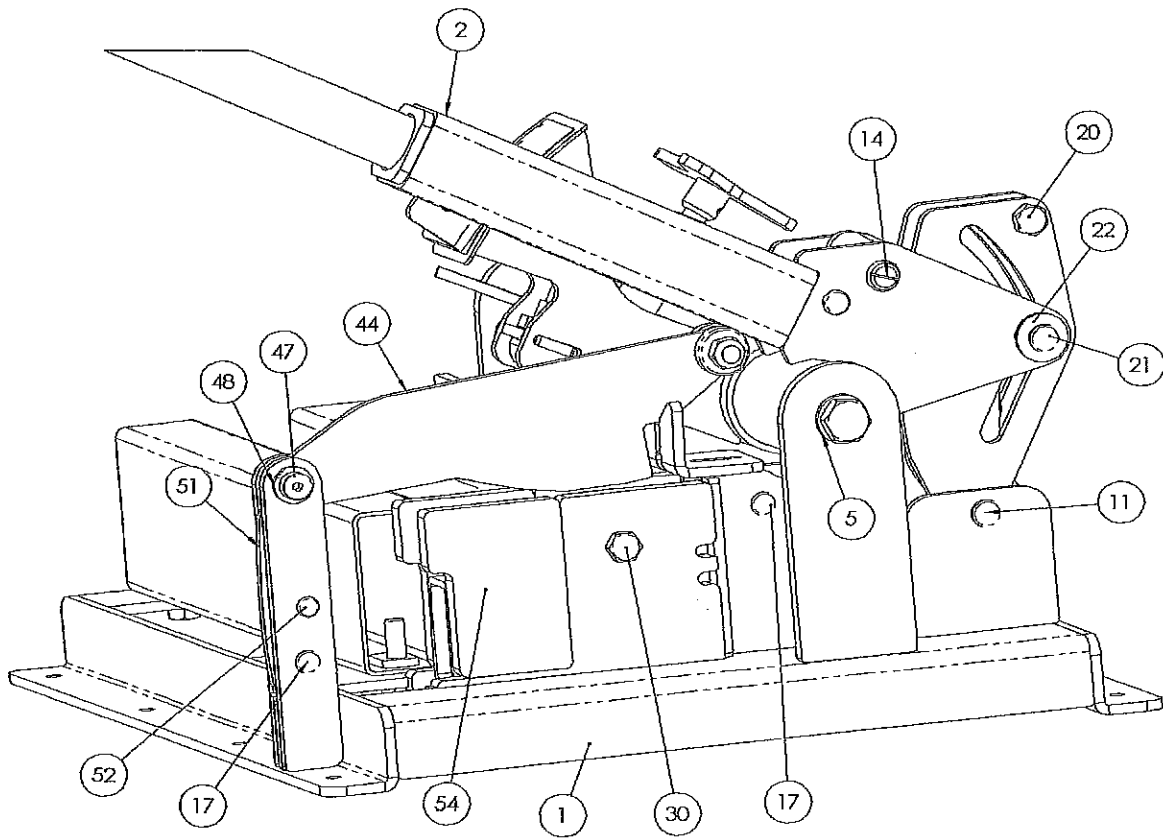
3530 – 88th Avenue NE * Blaine, Minnesota 55014 USA
Tel: 763-795-8885 * Fax: 763-795-8884
E-mail: radius@bitstream.net



Radius Track Corporation

3530 – 88th Avenue NE
Blaine, MN 55014
USA

Track Bender Model D150



Page 2

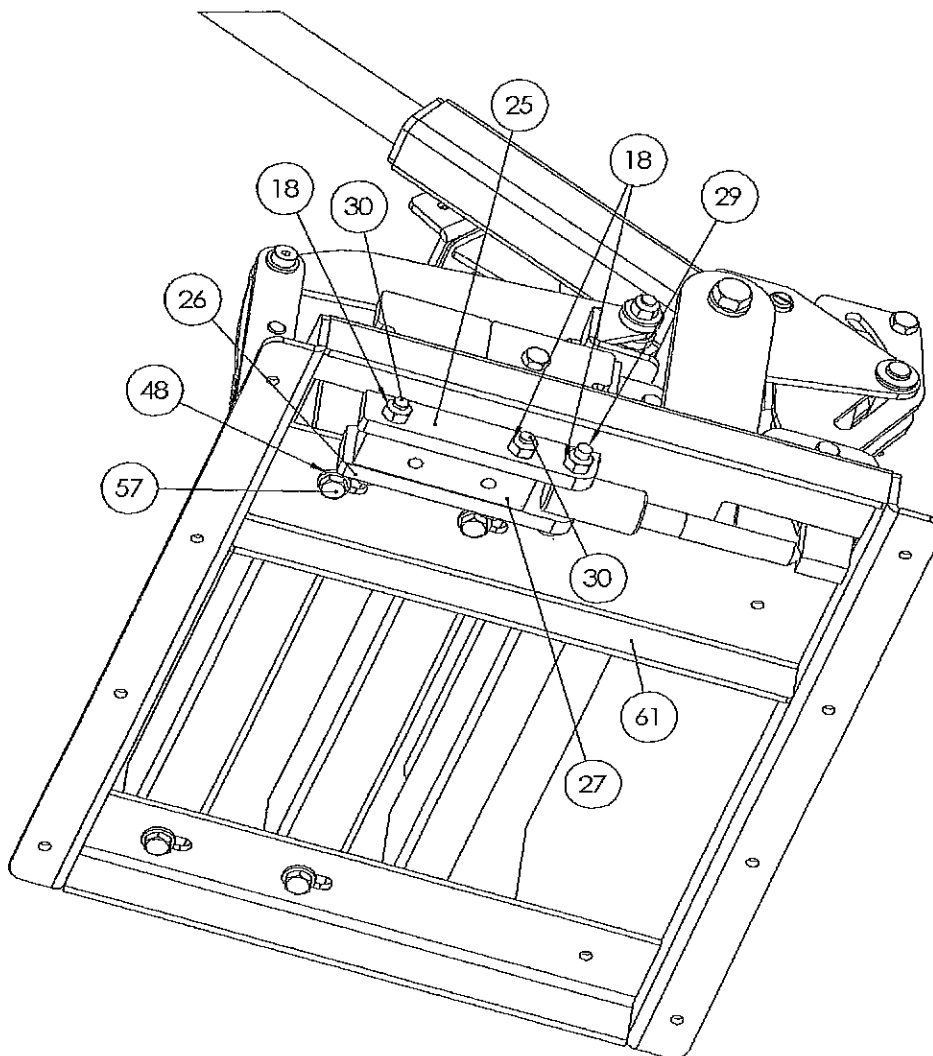
3530 – 88th Avenue NE * Blaine, Minnesota 55014 USA
Tel: 763-795-8885 * Fax: 763-795-8884
E-mail: radius@bitstream.net



Radius Track Corporation

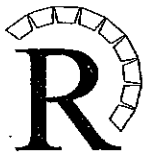
3530 – 88th Avenue NE
Blaine, MN 55014
USA

Track Bender Model D150



Page 3

3530 – 88th Avenue NE * Blaine, Minnesota 55014 USA
Tel: 763-795-8885 * Fax: 763-795-8884
E-mail: radius@bitstream.net



Radius Track Corporation

3530 – 88th Avenue NE

Blaine, MN 55014

USA

Track Bender Model D150

ITEM #	QTY.	PART NO.	DESCRIPTION	ITEM #	QTY.	PART NO.	DESCRIPTION
1	1	60-60	Weldment, Base D150	34	1	50C-M5-10	Cap Screw, M5 x 10
2	1	61-456	Weldment, Main Shaft	35	1	35B-10	Set Screw, M10-12
3	1	62-456	Weldment, Marker Shaft	36	2	50C-M8-16	Cap Screw, M8-16
4	2	50H-M12-45	Hex Head Bolt, M12 x 45	37	1	68-456	Weldment, Knob Mount
5	2	12D-10	Main Bushing, ØM12 x 17 x 12	38	1	43-10	Knob Shaft
6	1	66-60	Weldment, Flange Blade, D150	39	1	69-456	Weldment, Knob Handle
7	2	24-10	Dowel Pin, Ø3/8 x 9/16	40	1	37-10	Torque Indicator
8	2	16-10	Rocker	41	1	45B-10	Bonded SS Washer
9	2	26-10	Blade Arm	42	1	48C-10	Locking Ball
10	1	27-10	Blade Arm Link	43	1	73-456	Assembly, Thumb Screw
11	2	50L-38-175	Clevis Pin, Ø3/8 x 1 3/4	44	1	71-5636	Assembly, Blade 3 5/8, S150, D150
12	1	50W-38-7606	Washer Flat, Ø3/8 x 3/4 x .06	45	1	50N-M6	Lock Nut, M6
13	3	50F-15-175	Cotter Pin, Ø5/32 x 3/4	46	1	50W-25-5606	Washer, 1/4 x 9/16 x .06
14	2	17B-10	Ball Center, M12	47	1	50S-M8-16	Blade SHLDR Bolt, M8 x 16-M6
15	3	50R-07-150	Hair Pin, Ø.072 x 1 7/16	48	5	50W-31-6809	Washer, 5/16 x 11/16 x .09
16	1	50L-31-175	Link Clevis Pin, Ø5/16 x 1 3/4	49	1	42A-10	Indicator Thumb Screw
17	2	50L-31-088	Clevis Pin, Ø5/16 x 7/8	50	1	42-10	Acrylic Indicator
18	5	50N-M8	Lock Nut, M8	51	1	29-10	Spring Cam
19	1	16A-10	Rocker Bolt Spacer	52	1	50L-25-075	Cam Clevis Pin, 1/4 x 3/4
20	1	50H-M8-35	Hex Head Bolt, M8 x 35	53	1	29E-10	Wire Cam Spring
21	1	50L-38-200	Roller Clevis Pin, Ø3/8 x 2	54	1	64-606	Weldment, Adapter Block 6" D150
22	3	50W-37-8706	Washer, Brass Ø3/8 x 7/8 x .06	55	1	50CL-M8-50	Low Hd Cap Screw, M8 x 50
23	2	17D-10	Rocker Bushing, Ø3/8 x 1/2 x 1/4	56	2	65-60	Weldment, Guide Tube, D150
24	1	67-60	Weldment, Link Rod, D150	57	4	50H-M8-30	Hex Head Bolt, M8 x 30
25	1	30A-60R	Die Block Right, D150	58	1	45A-10	Spring Pin Ø3mm
26	1	30A-60L	Die Block Left, D150	59	1	72-456	Assembly, Handle
27	1	31-56	Spacer Block, S150, D150	60	1	52-56	Degree Scale, S150, D150
28	1	31-10	Bolt Spacer	61	1	33A-10	Grease Fitting
29	1	50H-M8-70	Hex Head Bolt, M8 x 58 (Mod)	62	1	31C-60	Dowel Pin, Ø5/16 x 1.00
30	3	50H-M8-55	Hex Head Bolt, M8 x 55	63	3	37B-10	Washer Shim, 3/4 x 1.0
31	1	31B-10	Link Coupling	64	1	71-5606	Assembly, Blade 6", S150, D150
32	1	70-456	Weldment, Marker				
33	1	35A-10	Marker Insert Bit				